

GPH = 576.2 **CDL = 11.247**

BOAT

Class **First 45**
Designer **Briand**
Builder **Beneteau**
Age Date **04.2009**
Series Date **12.2007**
Offset File **F_45mk.off**

HULL

Length Overall **13.680 m**
Maximum Beam **4.202 m**
Draft **2.381 m**
Displacement **10,600 kg**
DLR **6.1731**
IMS Division **Performance**
Dynamic Allowance **0.000%**
Age Allowance **0.455%**

PROPELLER

Installation **Strut**
Type **Folding 2 blades**
Diameter **0.460m**

CREW

Maximum weight **890 kg**
Minimum weight **668 kg * when applied**
Non Manual Power **No**
Crew Arm Extension

SAIL AREAS (m²)

	Measured	Rated
Mainsail	57.43	58.38
Headsail Luffed	47.92	47.92
Headsail Flying		
Symmetric	147.80	147.80
Asymmetric		

SAIL LIMITATIONS

Headsails **6**
Spinnakers **4**

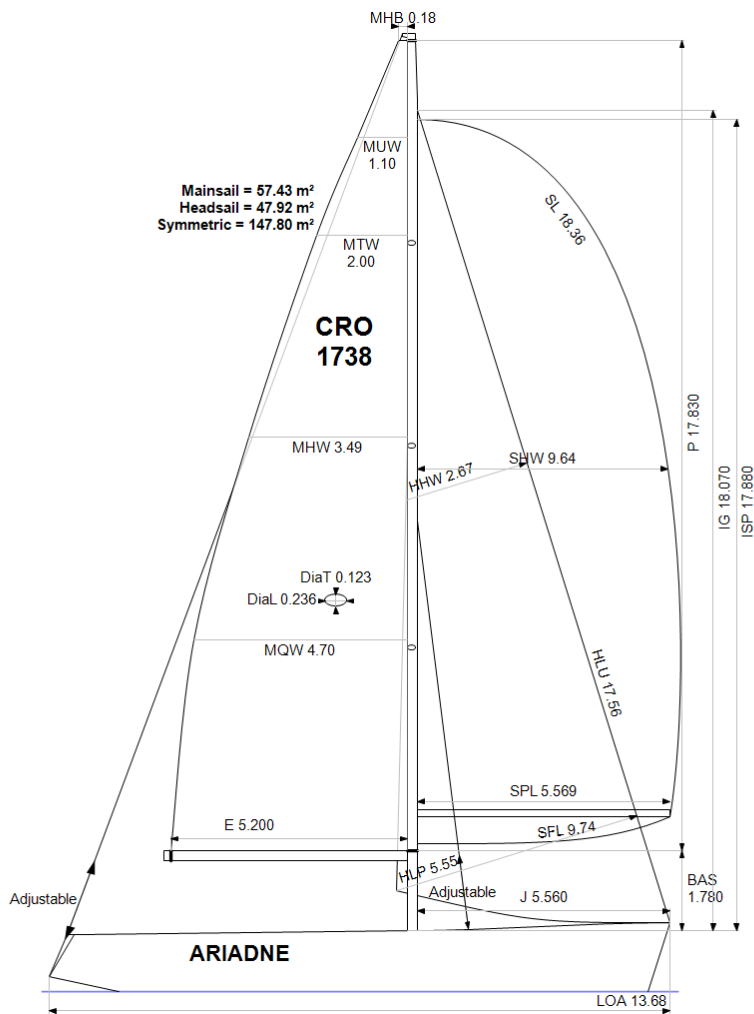
STABILITY

Righting Moment **303.2 kg·m**
Stability Index **N/A**

OWNER

Maša d.o.o
Uvala Baluni bb
21000 Split
CROATIA

The owner certifies that he/she understands his/her responsibilities under ORC Rule and Regulations.



Rated boat velocities in knots

Wind Velocity	6 kt	8 kt	10 kt	12 kt	14 kt	16 kt	20 kt
Beat Angles	43.5°	42.0°	41.3°	40.1°	39.2°	39.6°	39.0°
Beat VMG	3.59	4.39	5.05	5.48	5.66	5.74	5.87
52°	5.52	6.63	7.48	7.93	8.11	8.19	8.26
60°	5.86	6.97	7.75	8.14	8.34	8.43	8.50
75°	6.13	7.24	7.92	8.29	8.56	8.78	8.99
90°	6.05	7.25	8.04	8.34	8.63	8.93	9.47
110°	6.04	7.39	8.19	8.65	9.05	9.32	9.78
120°	5.88	7.22	8.09	8.58	9.05	9.54	10.23
135°	5.30	6.57	7.62	8.25	8.69	9.17	10.23
150°	4.44	5.60	6.66	7.59	8.20	8.61	9.51
Run VMG	3.85	4.85	5.77	6.61	7.28	7.90	8.76
Gybe Angles	140.8°	148.0°	149.0°	153.0°	160.5°	180.0°	180.0°



Club
Certificate
2021

Boat
Ariadne
CRO 1738

Hrvatski jedriličarski savez
Osječka 11
21000 Split
CROATIA



Certificate number: 077/21

Time Allowances in secs/NM

Wind Velocity	6 kt	8 kt	10 kt	12 kt	14 kt	16 kt	20 kt
Beat VMG	1003.5	819.1	713.4	657.3	636.4	627.0	612.9
52°	651.8	543.2	481.1	454.1	443.9	439.6	435.7
60°	614.3	516.5	464.8	442.5	431.9	427.2	423.7
75°	587.7	497.3	454.5	434.0	420.3	410.2	400.6
90°	595.1	496.6	447.7	431.5	417.3	403.2	380.1
110°	595.9	487.2	439.5	416.3	397.8	386.4	368.1
120°	612.2	498.9	445.2	419.6	397.8	377.4	351.8
135°	679.3	547.7	472.2	436.5	414.2	392.8	351.8
150°	810.7	643.4	540.6	474.3	439.3	417.9	378.5
Run VMG	936.1	743.0	624.3	544.7	494.3	455.5	411.0
Selected Courses							
Windward / Leeward	969.8	781.1	668.8	601.0	565.3	541.2	512.0
All purpose	743.1	606.0	529.6	488.8	466.3	449.8	428.0

Single Number Scoring Options

Course	Time On Distance	Time On Time
Windward / Leeward	633.4	0.9472
All purpose	510.0	1.1766